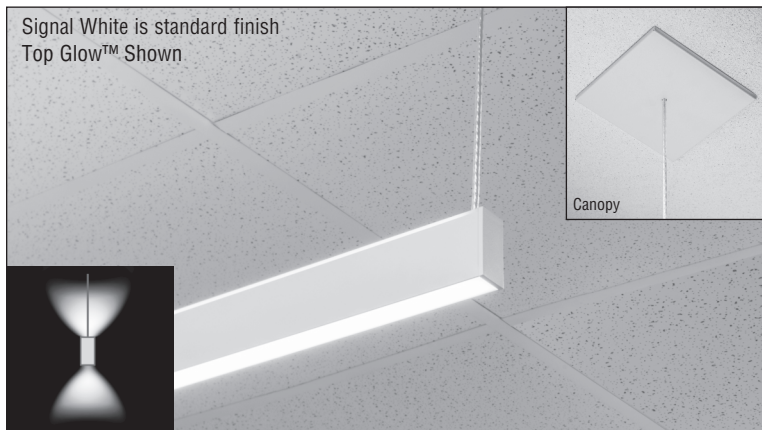


# FINELITE

## E2 Indirect/Direct (E2-ID) Linear



Date

Project

Type

Comments

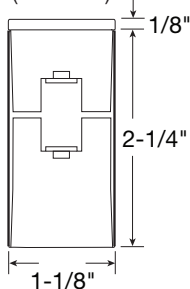
### DESCRIPTION

E2 Indirect/Direct (E2-ID) Linear provides excellent light output with a minimalist shape. Based on the Elements platform, E2 uses easy-to-install power supply boxes and power suspension cables that enable independent control of uplight and downlight.

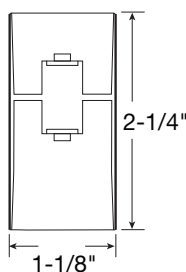
## Tailored Lighting 10 working days

- Static white uplight and downlight output options: Standard (S), Boosted Standard (B), High (H), and Very High (V)
- Any length greater than 2 feet, in increments down to 1/16" (± 1/32")
- 90-degree mitered corners in a single plane; prescribed configurations
- 80+ or 90+ CRI

### TOP GLOW (Standard)



### FLUSH



Low Profile T-Bar  
Power Supply Box shown

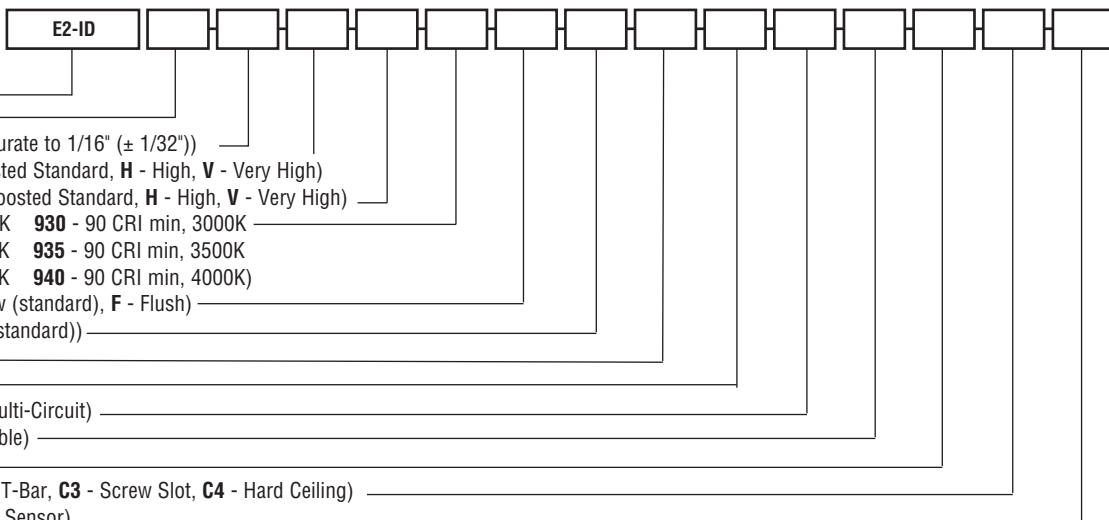
### ELECTRICAL BOX OPTIONS

Mounting options for new and retrofit installations.  
See page 2 for more information.

### DIMENSIONS/LIGHT ENGINE

Small form with glare-free illumination.

**ORDERING GUIDE:** Sample Number: E2-ID - L - 4' - H - H - 835 - TG - F - 96LG - 120V - SC - APC - FE - C1 - OBO



Finelite E2 (ID-Indirect/Direct)

Luminaire Styles (L - Linear)

Lengths (Minimum 2', increments accurate to 1/16" (± 1/32"))

Uplight Output (S - Standard, B - Boosted Standard, H - High, V - Very High)

Downlight Output (S - Standard, B - Boosted Standard, H - High, V - Very High)

LED CRI/CCT (830 - 80 CRI min, 3000K 930 - 90 CRI min, 3000K

835 - 80 CRI min, 3500K 935 - 90 CRI min, 3500K

840 - 80 CRI min, 4000K 940 - 90 CRI min, 4000K)

Uplight Diffuser Option (TG - Top Glow (standard), F - Flush)

Downlight Diffuser Option (F - Flush (standard))

Reflector System (96LG - Low Gloss)

Voltage (120V, 277V)

Circuiting (SC - Single Circuit, MC - Multi-Circuit)

Mounting (APC - Adjustable Power Cable)

Endcap (FE - Flat Endcap)

Ceiling Type (C1 - 1" T-Bar, C2 - 9/16" T-Bar, C3 - Screw Slot, C4 - Hard Ceiling)

Integrated Sensor\* (OBO - Occupancy Sensor)

\* Sensor is integrated into the canopy above the luminaire.

Patent Pending

# FINELITE

## E2 Indirect/Direct (E2-ID) Linear

### ELECTRICAL BOX OPTIONS

E2 can be specified with power supply boxes to meet specific application needs. From new to retrofit, T-Bar to drywall, to fully remote, E2 power supply boxes install quickly and easily.

#### Low Profile T-Bar Power Supply Box (P01)

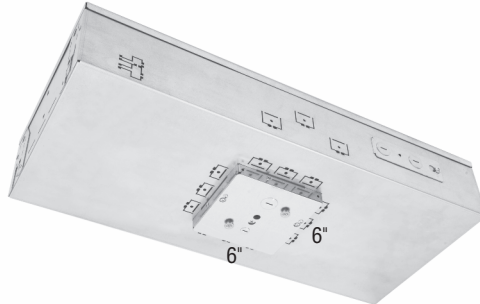
Dimensions - 10-1/8"W x 16-1/8"L x 1-11/16"D



- T-Bar only
- Two driver maximum per box (illuminates up to 8')
- Includes easy leveling system from below ceiling
- Access drivers from above ceiling for simple maintenance
- (7) 1/2" feed knockouts available to connect building power
- Optional occupancy sensor located in canopy for a clean aesthetic

#### Large Capacity Power Supply Box (P02)

Dimensions - 10"W x 23"L x 4"D



- T-Bar or Drywall ceiling compatible
- Four driver maximum per box (illuminates up to 16') or two drivers (illuminates up to 8') and one EM battery pack for egress (illuminates up to 4')
- Includes easy leveling system from below the ceiling
- Access to drivers from below ceiling to reduce maintenance time
- (4) 1/2" feed knockouts available to connect building power
- Optional Occupancy sensor located in canopy for a clean aesthetic

#### Retrofit Power Supply Box (P03)

Dimensions - 5"W x 14-3/8"L x 8-3/4"D



- T-Bar or Drywall ceiling compatible
- Two driver maximum per box (illuminates up to 8')
- Includes easy leveling system from below ceiling
- Access to drivers from below ceiling to reduce maintenance time
- (4) 1/2" feed knockouts available to connect building power
- Optional Occupancy sensor located in canopy for a clean aesthetic

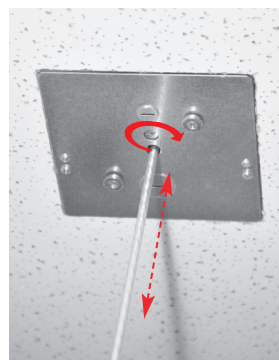
#### Splice Box (S01)

Dimensions - 5"W x 5"L x 2-3/8"D



- T-Bar or Drywall ceiling compatible
- Includes easy leveling system from below ceiling

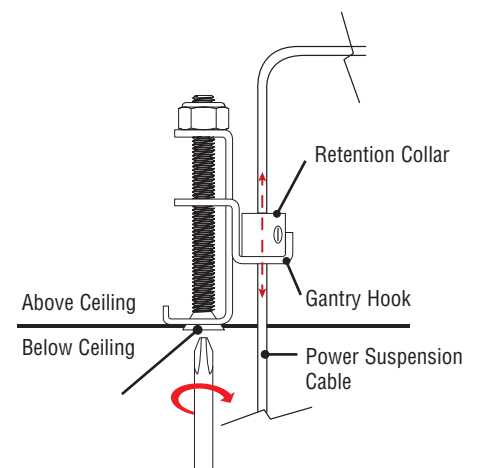
#### Easy Leveling System On All Boxes



Watch Video



Scan this QR code with your mobile phone or tablet



E2-ID includes a patent pending leveling system for simple leveling adjustment for a consistent luminaire sightline.

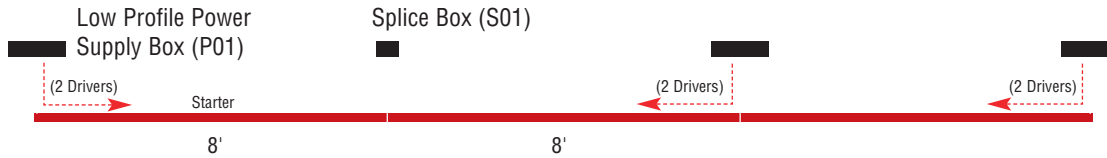
Patent Pending

# FINELITE

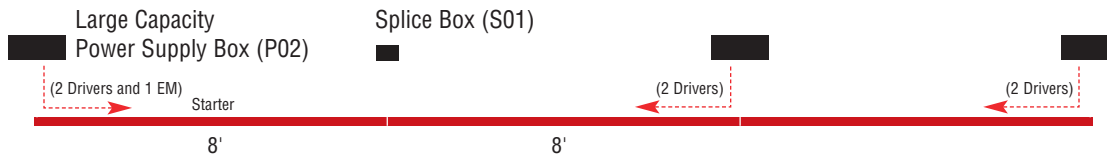
## E2 Indirect/Direct (E2-ID) Linear

**ELECTRICAL SPECIFICATION** (For more details, refer to [www.finelite.com](http://www.finelite.com) for the Driver Power Supply Specification Guide.)

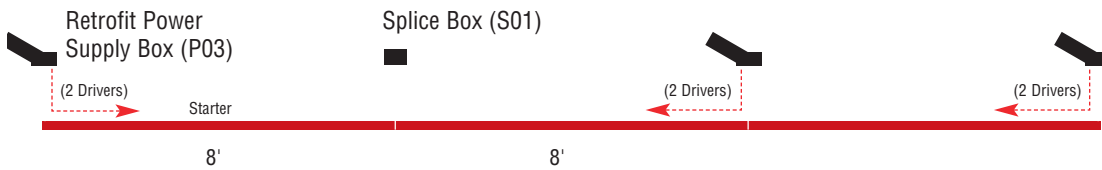
**A. 24' run with Low Profile T-Bar Power Supply Boxes (P01). Two drivers in each box. T-Bar ceiling.**



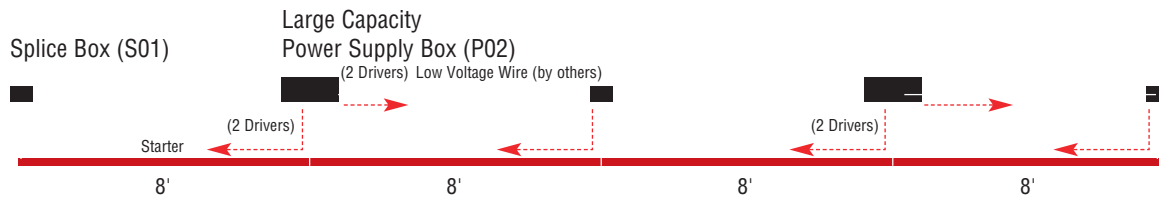
**B. 24' run with Large Capacity Power Supply Boxes (P02). Two drivers and one battery backup in first box. Drywall or T-Bar ceiling.**



**C. 24' run with Retrofit Power Supply Boxes (P03). Two drivers in each box. Drywall or T-Bar ceiling.**

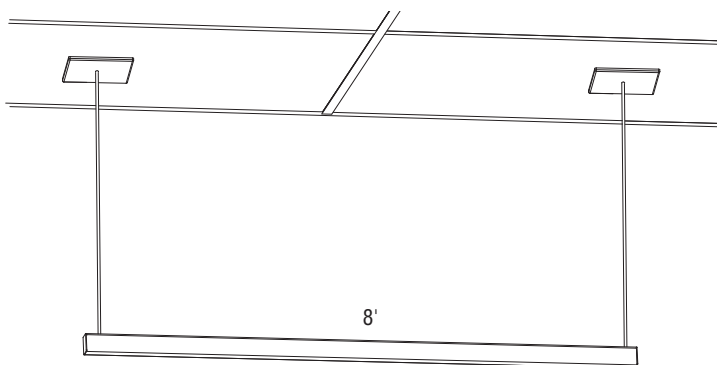


**D. 32' run with Large Capacity Power Supply Boxes (P02). Four drivers in each box. Drywall or T-Bar ceiling.**



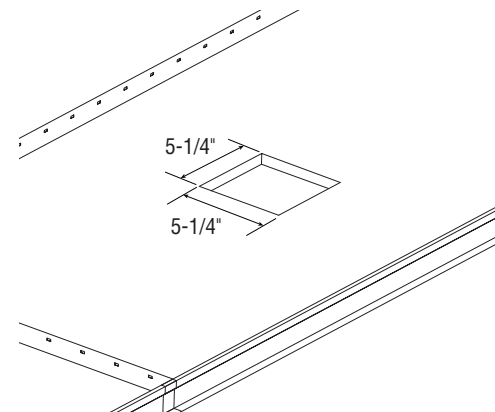
### MOUNTING

8-foot maximum section length. Standard off-grid mounting. A single cable suspends and carries power to the luminaire for a consistent and uniform visual aesthetic throughout the installation.



### ROUGH-IN

T-Bar or Drywall



\* Refer to installation instructions for additional remote installation options

Patent Pending

# FINELITE

## E2 Indirect/Direct (E2-ID) Linear

### PHOTOMETRY - ↑Flush / ↓Flush Diffuser (E2-ID-L-4'-V-V-835-F-F)

Very High Output / Very High Output - 4' Luminaire

Distribution: 61% Up (V) / 39% Down (V)

Efficacy: 99 lumens per watt

Uplight: 2250 lumens (563 lumens/foot)

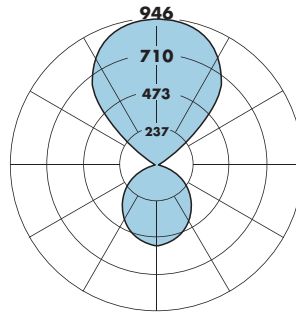
Downlight: 1440 lumens (360 lumens/foot)

Total Luminaire Output: 3690 lumens (923 lumens/foot)

37.2 watts (9.3 watts/foot)

CCT: 3500K; CRI: 80

ITL LM79 Report 89277



CANDELA DISTRIBUTION						
	0.0	22.5	45	67.5	90	Flux
0	520	520	520	520	520	520
5	518	518	518	518	518	49
15	497	494	497	497	497	140
25	457	452	456	455	454	209
35	400	395	398	397	396	248
45	332	328	330	328	327	254
55	257	254	254	253	253	227
65	179	176	175	175	175	174
75	102	100	99	99	100	106
85	29	28	29	29	30	32
90	0	0	0	0	0	0
95	20	18	14	11	11	18
105	114	93	70	56	52	82
115	278	236	165	124	113	181
125	471	426	377	265	229	320
135	644	618	579	567	535	449
145	772	759	740	712	708	461
155	862	851	857	845	837	391
165	918	912	916	914	912	258
175	943	942	942	942	942	90
180	946	946	946	946	946	946

↑ Indirect	↓ Direct
------------	----------

Total Light Output, 3500K, 80 CRI (Lumens) - 4' Luminaire				
	↑S*	↑B*	↑H*	↑V**
↓S*	1511 [↑61%   39%↓]	1747 [↑66%   34%↓]	2339 [↑75%   25%↓]	2839 [↑79%   21%↓]
↓B*	1662 [↑55%   45%↓]	1899 [↑61%   39%↓]	2491 [↑70%   30%↓]	2991 [↑75%   25%↓]
↓H*	2041 [↑45%   55%↓]	2278 [↑51%   49%↓]	2870 [↑61%   39%↓]	3370 [↑67%   33%↓]
↓V*	2361 [↑39%   61%↓]	2598 [↑45%   55%↓]	3190 [↑55%   45%↓]	3690 [↑61%   39%↓]

Lumen Adjustment Factors - 80 CRI	
3000K	0.985
3500K	1.000
4000K	1.032

Light Output, 3500K, 80 CRI (Lumens Per Foot)				
	↑S*	↑B*	↑H*	↑V**
↓S*	378	437	585	710
↓B*	416	475	623	748
↓H*	510	569	718	843
↓V*	590	649	798	923

Lumen Adjustment Factors - 90 CRI	
3000K	0.746
3500K	0.760
4000K	0.789

Apply a lumen adjustment factor to calculate lumens for the desired CCT and CRI.

Power, 3500K, 80 CRI (Watts Per Foot)				
	↑S*	↑B*	↑H*	↑V**
↓S*	3.8	4.3	5.5	6.6
↓B*	4.3	4.8	6.0	7.0
↓H*	5.5	6.0	7.2	8.3
↓V*	6.6	7.0	8.3	9.3

**SAMPLE LUMEN ADJUSTMENT CALCULATION**  
 High Output (H) / Standard Output (S),  
 4000K, 90CRI

$$\text{Lumen Adjustment Factor} = 0.789$$

$$\text{Total Light Output} = 2339 \text{ lm} \times 0.789 = 1845 \text{ lm}$$

$$\text{Total Light Output per Foot} = 585 \text{ lm/ft} \times 0.789 = 462 \text{ lm/ft}$$

$$\text{watts/foot} = 5.5 \text{ W/ft}$$

$$\text{Efficacy} = \frac{462 \frac{\text{lm}}{\text{ft}}}{5.5 \frac{\text{W}}{\text{ft}}} = 84 \text{ lm/W}$$

Efficacy, 3500K, 80 CRI (Lumens Per Watt)				
	↑S*	↑B*	↑H*	↑V**
↓S*	99	101	106	108
↓B*	96	99	104	106
↓H*	93	95	100	102
↓V*	90	92	97	99

S - Standard Output, B - Boosted Standard Output, H - High Output, V - Very High Output

\* Family Correlation based on 4' luminaire 3500K Very High Output (V) test - 120V.

\*\* Correlation based on ITL report: 89277

Patent Pending



# FINELITE

## E2 Indirect/Direct (E2-ID) Linear

### SPECIFICATIONS

**CONSTRUCTION:** Precision cut 6061-T6 extruded aluminum body with aluminum endcaps. Top Glow™ diffuser snaps into place and is easily removed for service.

**UPLIGHT DIFFUSER:** The Top Glow™ diffuser is frost white standard. Coupled with light engine design, the diffuser spreads the light evenly for enhanced ceiling uniformity. Optional: Flush frost white snap-in diffuser, 94% transmissive, 10% diffusion.

**DOWNLIGHT DIFFUSER:** The downlight diffuser is frost white standard. Coupled with light engine design, the diffuser spreads the light evenly for enhanced distribution.

**LIGHT OUTPUT:** Four lumen packages available, Standard (S), Boosted Standard (B), High (H), and Very High (V). A separate chart summarizes lumen distribution and wattage.

**LIGHT ENGINE:** The replaceable light engines are made up of high performance mid-power LEDs and designed to distribute heat properly to maximize the life of the LEDs and the driver.

**LUMEN MAINTENANCE:** 90% of initial light output (L90) at 100,000+ hours; 70% of initial light output (L70) at 200,000+ hours.

**DRIVER:** Replaceable 120V/277V Constant Current Reduction dimming driver standard. Can be wired dimming or non-dimming. 0-10V dimming controls with a range of 10%- 100%. Dimming to 1% available; consult factory. Driver for Low Profile T-Bar Power Supply Box is accessible from above the ceiling. Driver for Large Capacity and Retrofit Power Supply Box are fully accessible from below the ceiling. Power Factor:  $\geq 0.9$ . Total Harmonic Distortion (THD):  $< 20\%$ . Step-dimming driver (limited programable outputs. Contact Factory). Expected driver lifetime: 100,000 hours.

**ELECTRICAL:** 120V or 277V prewired. Emergency to generator/inverter wiring, internal generator transfer switch. See Electrical Box Options for more information (page 2).

**INTEGRATED SENSORS:** Integrated Occupancy Sensors can be located in the canopy. Sensors are available when using the following power supply boxes: Large Capacity, Low Profile T-Bar, and Retrofit power supply boxes.

**MOUNTING:** Standard E2-ID Linear mounting is off-grid. Bar Hangers for mounting power supply boxes to joists are ordered separately. Consult Electrical Box Options (Page 2) for maintenance details.

**FINISH:** Finelite Signal White powder coat finish standard. Optional Adders: 185 RAL colors.

**SUPPORT CABLE/FEED:** Standard suspension is conductive feed/suspension cable. 4-conductor cable standard delivering independent up light and downlight control. Field adjustable length. Max support spacing every 8'.

**LENGTHS:** Any length, 2-foot minimum, in increments down to 1/16" ( $\pm 1/32$ "). 8-foot maximum section length.

**WEIGHT:** 1.0 lb per foot. 4' E2-ID linear weighs 4 lbs.

**LABELS:** Luminaire and electrical components are ETL-listed conforming to UL 2108 in the U.S.A. and CAN/CSA C22.2#9.0 in Canada. In accordance with NEC Code 410.73 (G), this luminaire contains an internal driver disconnect. Damp Location. Finelite products use electronic components that are RoHS compliant, and the mechanical components of the luminaire have been verified to not knowingly contain any restricted substances listed per RoHS Directive 2002/95/EC.

**WARRANTY:** 10-year performance-based warranty on all standard components. Optional accessories such as emergency battery packs are covered by their individual manufacturer warranties.